

Data sheet

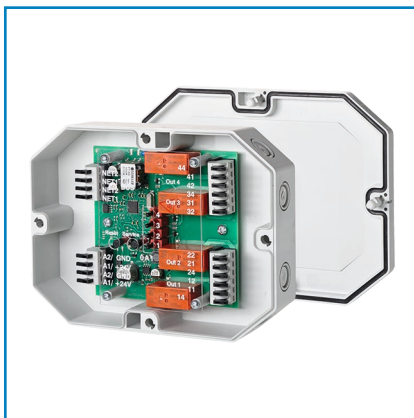
Page 1/4

LF-DO4-IP LON module with digital outputs

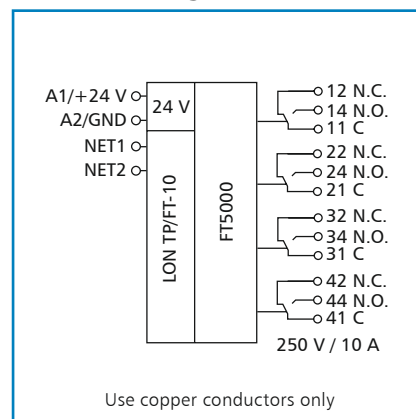
Part number
1108521321IP

2016-07-18

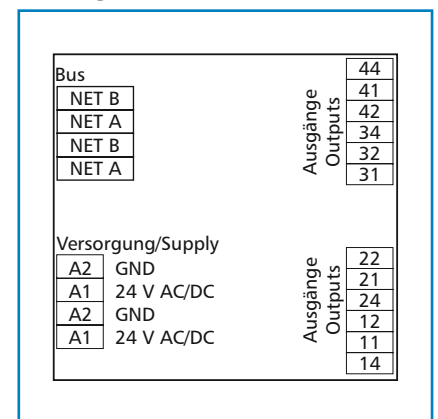
Illustrations



Principle diagram



Wiring



Product description

The LON module in an IP65 housing with 4 digital outputs was developed for decentralized switching tasks. It is suitable for switching electrical components, such as motors, contactors, lamps, louvers, etc. With strong inductive loads, we recommend protecting the relay contacts additionally with an RC element.

The outputs can be actuated by SNVT network variables. The module has a manual control activated only in configured mode. In addition, an adjustable wipe function is integrated.

Data sheet

LF-DO4-IP

LON module with digital outputs

Technical data

LON interface

Transceiver	TP/FT-10 free topology
Neuron	FT5000
Data format	Standard network variables (SNVT)
Transmission rate	78 kBit/s
Max. length	
Line topology	2700 m / 64 nodes
Free topology	500 m / 64 nodes
Cabling	Twisted Pair

Versorgung

Operating voltage range	20 to 28 V AC/DC (SELV)
Current consumption	205 mA (AC) / 67 mA (DC)
Relative duty cycle	100 %
Recovery time	550 ms

Output

Outputs	4x digital
Output contact	4x changeover contact
Switching voltage max.	250 V AC
Making/breaking current max.	80 A for 20 ms
Nominal current	10 A
Total current over all contacts max.	25 A
Mechanical endurance	30 x 10 ⁶ switching cycles
Electrical endurance	9 x 10 ⁴ switching cycles
Permissible switching frequency	6 per min. at nominal current

General informations

Rated insulation voltage	230/400 V AC	
Overvoltage category	III	II
Pollution degree	2	2
Rated surge voltage	4 kV	2.5 kV
Type of insulation	basic insulation	reinforced insulation

Data sheet

LF-DO4-IP

LON module with digital outputs

Technical data

Housing	
Dimensions WxHxD	6.299 x 1.602 x 4.724 in. (160 x 40.7 x 120 mm)
Weight	300 g
Mounting position	any
Mounting	directly on a flat surface 8 knock-out openings for M12 and M16 cable glands
Material	
Housing	ASA + polycarbonate
Terminal blocks	polyamide 6.6 V0
Cover plate	polycarbonate
Type of protection (IEC 60529)	
Housing	IP65
Terminal blocks	
Supply and bus	
Terminal block	4-pole
Solid wire	max. AWG 16 (1.5 mm ²)
Stranded wire	max. AWG 18 (1.0 mm ²)
Wire diameter	0.3 mm to max. 1.4 mm
Module connection, digital outputs	
Solid wire	max. AWG 16 (1.5 mm ²)
Stranded wire	max. AWG 18 (1.0 mm ²)
Wire diameter	0.3 mm to max. 1.4 mm
Protective circuitry	Polarity reversal protection of operating voltage Polarity reversal protection of supply and bus
Temperature range	
Operation	23 °F to 131 °F (-5 °C to +55 °C)
Storage	-4 °F to +158 °F (-20 °C to +70 °C)
Display	
Operation	green LED
Status (Service)	yellow LED
State of outputs	yellow LEDs
Additional documents	
Software description, mounting note, certificates	All additional documents are available for download at www.metz-connect.com



Data sheet

LF-DO4-IP

LON module with digital outputs

Page 4/4

Part number

1108521321IP

2016-07-18

Dimensional drawing

