

# Data sheet

## LF-SI4

Part number  
**11085813**

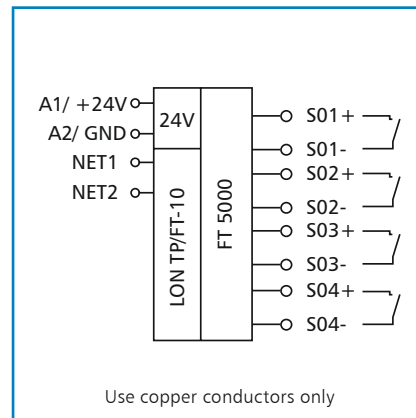
## LON module with S0 inputs

2014-06-30

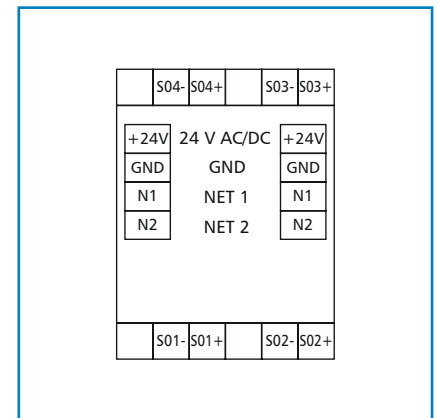
### Illustrations



### Principle diagram



### Wiring



### Product description

The LON module with 4 S0 inputs to DIN EN 62053-31 class A was developed for decentralized switching tasks. It is suitable for counting S0 counter pulses.

The software contains the LONMARK profile 2201-10 utility meter. This allows very good integration of the module into a LON-based energy controlling system. For each channel, the module saves up to 500 data records consisting of counter pulses and time stamps by means of a real-time clock (RTC).

This makes it possible to use the LF-SI4 also as data logger. In case of a power failure, the data records remain saved. SNVT network variables allow scanning the inputs individually or simultaneously.

Suitable for decentralized mounting on DIN TH35 rail according to IEC 60715 in electrical distribution cabinets.

Data sheet

LF-SI4

LON module with S0 inputs

**Technical data**

<b>Approvals</b>	
C-UL Certification	Open Energy Management Equipment 34TZ
<b>LON interface</b>	
Transceiver	TP/FT-10 free topology
Neuron	FT5000
Data format	Standard network variables (SNVT)
Transmission rate	78 kBit/s
Max. length	
Line topology	2700 m / 64 nodes
Free topology	500 m / 64 nodes
Cabling	Twisted Pair
<b>Supply</b>	
Operating voltage range	20 to 28 V AC/DC (SELV)
Current consumption	210 mA (AC) / 82 mA (DC)
Relative duty cycle	100 %
Recovery time	550 ms
<b>Input</b>	
Inputs	4x S0 according to DIN EN 62053-31 Class A
<b>Housing</b>	
Dimensions WxHxD	1.378 x 2.728 x 2.362 in. (35 x 69.3 x 60 mm)
Weight	83 g
Mounting position	any
Mounting	on TH35 rail per IEC 60715
Side-by-side mounting	Without space The maximum quantity of LON modules connected side-by-side is limited to 15 or to a maximum power consumption of 2 Amps (AC or DC) per connection to the power supply. For any similar block of additional modules a separate connection to the power supply is necessary.
<b>Material</b>	
Housing	polyamide 6.6 V0
Terminal blocks	polyamide 6.6 V0
Cover plate	polycarbonate
<b>Type of protection (IEC 60529)</b>	
Housing	IP40
Terminal blocks	IP20

**Data sheet**

**LF-SI4**

**LON module with S0 inputs**

**Technical data**

<b>Terminal blocks</b>	
Supply and bus	
Terminal block	4-pole
Solid wire	max. AWG 16 (1.5 mm <sup>2</sup> )
Stranded wire	max. AWG 18 (1.0 mm <sup>2</sup> )
Wire diameter	0.3 mm to max. 1.4 mm
Module connection, S0 inputs	
Solid wire	max. AWG 12 (4 mm <sup>2</sup> )
Stranded wire	max. AWG 14 (2.5 mm <sup>2</sup> )
Wire diameter	0.3 mm to max. 2.7 mm
Protective circuitry	Polarity reversal protection of operating voltage Polarity reversal protection of supply and bus
<b>Temperature range</b>	
Operation	23 °F to 131 °F (-5 °C to +55 °C)
Storage	-4 °F to +158 °F (-20 °C to +70 °C)
<b>Display</b>	
Operation	green LED
Status (Service)	yellow LED
State of the inputs	yellow LEDs
<b>Additional documents</b>	
Software description, mounting note, certificates	All additional documents are available for download at <a href="http://www.metz-connect.com">www.metz-connect.com</a>



Data sheet

LF-SI4

LON module with 50 inputs

Page 4/4

Part number

11085813

2014-06-30

Dimensional drawing

