

# Data sheet

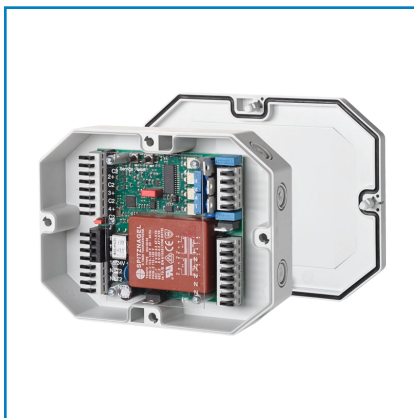
## LF-TI-IP

Part number  
11086105IP

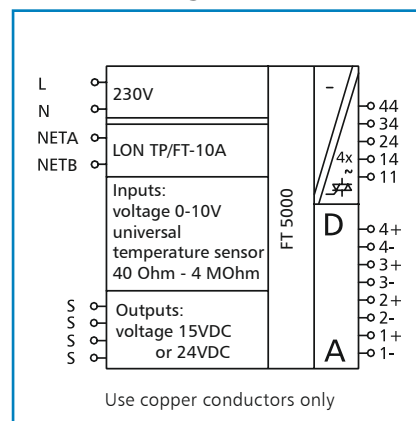
# LON module with digital inputs and outputs

2014-06-30

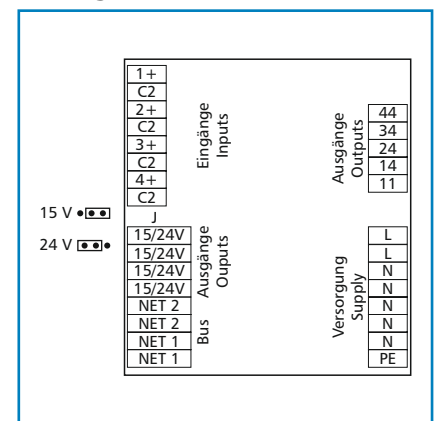
### Illustrations



### Principle diagram



### Wiring



### Product description

The LON module in an IP65 housing with 4 universal inputs and 4 digital outputs was developed for decentralized switching tasks. It is suitable for detecting temperatures or voltages or for switching 4 thermal valve drives with triacs.

The inputs and outputs are scanned and activated by SNVT network variables. The outputs can be operated either only switching or in clocking mode with adjustable pulse/pause ratio.

Data sheet

LF-TI-IP

LON module with digital inputs and outputs

Page 2/4

Part number

11086105IP

2014-06-30

**Technical data**

<b>LON interface</b>	
Transceiver	TP/FT-10 free topology
Neuron	FT5000
Data format	Standard network variables (SNVT)
Transmission rate	78 kBit/s
Max. length	
Line topology	2700 m / 64 nodes
Free topology	500 m / 64 nodes
Cabling	Twisted Pair
<b>Supply</b>	
Operating voltage	230 V AC, 50 Hz
Current consumption	<25 mA
Relative duty cycle	100 %
Recovery time	550 ms
<b>Inputs</b>	
Inputs	4x temperature input for all sensors in the range of 40 Ohm to 4 MOhm
Temperature range	adjustable
Resolution	10 mV
Error	about $\pm 100$ mV $\pm 0.2$ °C
Voltage input	0 to 10 V DC
Resolution	10 mV (0.0 to 100 %)
Error	about $\pm 10$ mV
<b>Outputs</b>	
Output contact	4x digital output (Triac)
Switching voltage	20 to 250 V AC
Nominal current	0.8 A
Triac fuse	2 A each
Total current over all outputs max.	2.4 A

Data sheet

LF-TI-IP

LON module with digital inputs and outputs

**Technical data**

<b>Housing</b>	
Dimensions WxHxD	6.299 x 1.602 x 4.724 in. (160 x 40.7 x 120 mm)
Weight	330 g
Mounting position	any
Mounting	directly on a flat surface 8 knock-out openings for M12 and M16 cable glands
Material	
Housing	ASA + polycarbonate
Terminal blocks	polyamide 6.6 V0
Cover plate	polycarbonate
Type of protection (IEC 60529)	
Housing	IP65
<b>Terminal blocks</b>	
Supply and bus	
Terminal block	4-pole
Solid wire	max. AWG 16 (1.5 mm <sup>2</sup> )
Stranded wire	max. AWG 18 (1.0 mm <sup>2</sup> )
Wire diameter	0.3 mm to max. 1.4 mm
Module connection, digital inputs and outputs	
Solid wire	max. AWG 16 (1.5 mm <sup>2</sup> )
Stranded wire	max. AWG 18 (1.0 mm <sup>2</sup> )
Wire diameter	0.3 mm to max. 1.4 mm
Protective circuitry	Polarity reversal protection of operating voltage Polarity reversal protection of supply and bus
<b>Temperature range</b>	
Operation	23 °F to 131 °F (-5 °C to +55 °C)
Storage	-4 °F to +158 °F (-20 °C to +70 °C)
<b>Display</b>	
Operation	green LED
Status (Service)	yellow LED
<b>Additional documents</b>	
Software description, mounting note, certificates	All additional documents are available for download at <a href="http://www.metz-connect.com">www.metz-connect.com</a>



Data sheet

LF-TI-IP

LON module with digital inputs and outputs

Page 4/4

Part number

11086105IP

2014-06-30

Dimensional drawing

