

# Data sheet

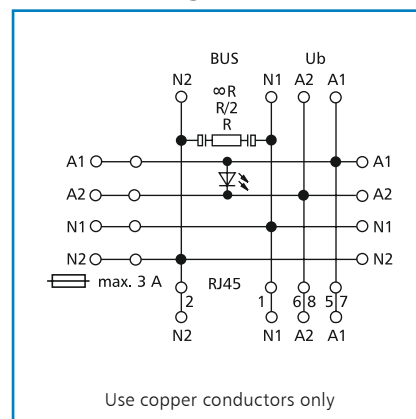
## LF-FAM

### Switch-on module

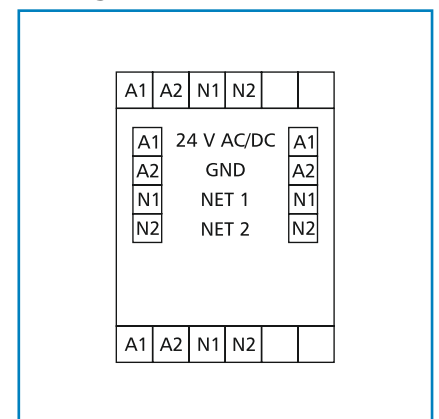
#### Illustrations



#### Principle diagramme



#### Wiring



#### Product description

Switch-on module for bus connection, supply voltage and adjustable bus termination. The switch-on module was developed as wiring help for supplying the supply voltage and a two-wire bus to the LON bus modules.

The supply voltage and the two-wire bus are led to the upper part of the housing over a sturdy terminal block with a cross section of max. 2.5 mm<sup>2</sup> and connected to the modules by means of the jumper. Using a suitable interface cable, the two-wire bus can be connected to a PC over the two RJ45 jacks.

A bus terminating resistor of 52.3 Ohm (R/2) for free network topology and 105 Ohm (R) for line topology can be set by means of the jumper under the removable cover.

Suitable for decentralized mounting on DIN TH35 rail according to IEC 60715 in electrical distribution cabinets.

**Data sheet**  
**LF-FAM**  
**Switch-on module**

Page 2/3  
**Part number**  
**11087913**  
 2014-05-08

**Technical data**

<b>Approvals</b>	
C-UL Certification	Open Energy Management Equipment 34TZ
<b>Supply</b>	
Operating voltage range	10 to 28 V AC/DC (SELV)
Current consumption LED	< 5 mA
<b>Load</b>	
Nominal current max.	2.5 A
Pre-fuse max.	3 A
<b>Housing</b>	
Housing dimension WxHxD	1.378 x 2.728 x 2.638 in. (35 x 69.3 x 67 mm)
Depth including dust protection plugs	2.874 in. (73 mm)
Weight	75 g
Mounting position	any
Mounting	rail TH35 according to IEC 60715
Material	
Housing	polyamide 6.6 V0
Terminal blocks	polyamide 6.6 V0
Cover	polycarbonate
Type of protection (EN 60 529)	
Housing	IP40
Terminal Blocks	IP20
<b>Terminal blocks</b>	
Supply and bus	
Terminal block	4-pole
Solid wire	max. AWG 16 (1.5 mm <sup>2</sup> )
Stranded wire	max. AWG 18 (1.0 mm <sup>2</sup> )
Wire diameter	0.3 mm to max. 1.4 mm
RJ45 jack	
Contact 1	N1
Contact 2	N2
Contact 5 and 7	A1
Contact 6 and 8	A2
Module connection inputs and outputs	
Solid wire	max. AWG 12 (4 mm <sup>2</sup> )
Stranded wire	max. AWG 14 (2.5 mm <sup>2</sup> ) with wire end sleeve
Wire diameter	0.3 mm to max. 2.7 mm

**Data sheet**  
**LF-FAM**  
**Switch-on module**

Page 3/3  
**Part number**  
**11087913**  
 2014-05-08

**Technical data**

<b>Temperature range</b>	
Operation	23 °F to 131 °F (-5 °C to +55 °C)
Storage	-4 °F to +158 °F (-20 °C to +70 °C)
<b>Additional documents</b>	
Software description, mounting note, certificates	All additional documents are available for download at <a href="http://www.metz-connect.com">www.metz-connect.com</a>



**Dimensional drawing**

