

Data sheet

Patch cord Cat.6_A AWG 26 10.0 m white

Page 1/6

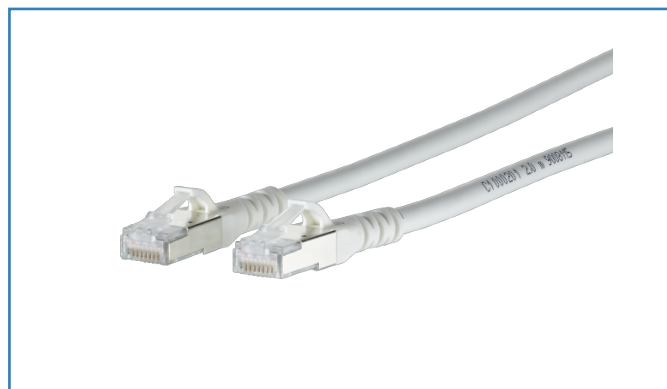
P/N

130845A088-E

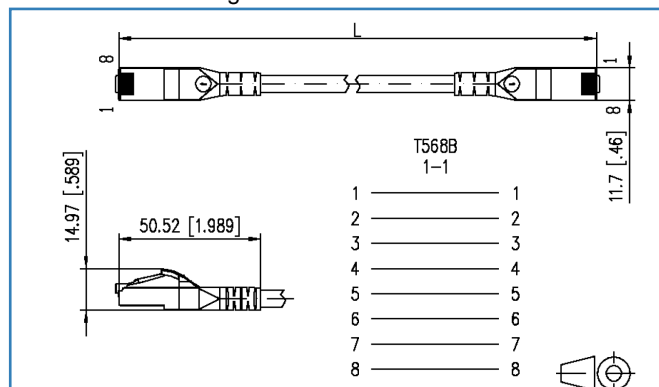
EAN 4250184133261

2018-25-04

Illustrations



Dimensional drawing



See enlarged drawings at the end of document



Product specification

- especially suitable for shielded and unshielded class E_A systems
- fully shielded Cat.6_A patch cord AWG 26/7
- two shielded RJ45 connectors; 1:1 assignment
- cable type: S/FTP 4x2xAWG 26/7 PIMF
- cable sheath: LSHF(LSOH), halogen free
- Cat.6_A to ISO/IEC 11801 Ed.2.2 (2011-06) and IEC 61935-2 Ed. 3.0 (2010-07), certified to GHMT
- class E_A Link up to 500 MHz to ISO/IEC 11801 Ed.2.2:2011-06, DIN EN 50173-1:2011-09
- suitable for 10 GBit Ethernet (IEEE 802.3an) and Remote Powering (PoE, PoE plus and UPoE) and HDBaseT
- snagless boot with integrated lever protection
- colors may differ slightly due to different protection lots



Data sheet Patch cord Cat.6_A AWG 26 10.0 m white

Page 2/6

P/N
130845A088-E
EAN 4250184133261

2018-25-04

Technical Data

General Data

| | |
|-------------------------------------|---------------------------|
| Fields of application | Office |
| Design | Patch cords |
| Shielding | shielded |
| Transmission technology | Copper |
| Cable Type | S/FTP |
| Number of twisting elements | 4 |
| Twisting element | Pair |
| Wiring | 1 - 1 |
| Color | white |
| Dimensions | |
| Dimension - Interface 1 (L x W x H) | 50.52 x 11.70 x 14.97 mm |
| Dimension - Interface 1 (L x W x H) | 1.989 x 0.461 x 0.589 in. |
| Dimension - Interface 2 (L x W x H) | 50.52 x 11.70 x 14.97 mm |
| Dimension - Interface 2 (L x W x H) | 1.989 x 0.461 x 0.589 in. |
| Cable length (m) | 10.00 m |
| Cable length (ft) | 32.81 ft |
| Marking option | by cable boot |

Transmission characteristics

| | |
|--|----------------|
| Category (ISO) | 6 _A |
| Class (ISO/IEC) | E _A |
| Category (TIA) | 6A |
| Remote Powering | yes |
| PoE | IEEE 802.3af |
| PoE plus | IEEE 802.3at |
| UPoE | yes |
| HDBaseT | yes |
| Transmission rate up to 10 GBit (Gigabit-Ethernet) | IEEE 802.3an |



Technical Data

Connections/interfaces

| | |
|---|-----------------------|
| Connector technology interface 1 | RJ45 plug |
| Connector technology interface 2 | RJ45 plug |
| Number of ports interface 1 | 1 |
| Number of ports interface 2 | 1 |
| Number of equipped ports interface 1 | 1 |
| Number of equipped ports interface 2 | 1 |
| Number of positions/contacts interface 1 | 8P/8C |
| Number of positions/contacts interface 2 | 8P/8C |
| Termination data, stranded wire (min. - max.) | |
| Conductor cross section, stranded wire | AWG 26/7 |
| Conductor cross section, stranded wire | 0.141 mm ² |
| Conductor diameter, stranded wire (bare copper) | 0.483 mm |
| Conductor diameter, stranded wire (bare copper) | 0.019 in. |

Electrical characteristics

| | |
|---|---------------|
| Current carrying capacity | max. 1 A |
| Rated voltage | max. 50 V |
| Contact resistance | max. 20 mOhm |
| Through resistance | max. 200 mOhm |
| Insulation resistance | min. 100 MOhm |
| Dielectric strength conductor-conductor (primarily) | max. 500 V DC |
| Dielectric strength conductor-conductor (secondary) | max. 500 V DC |

Mechanical characteristics

| | |
|---|-----|
| Position/mounting of latch - standard installation position | top |
|---|-----|

Materials and material properties

| | |
|---------------------------------------|--------------------|
| Material - Cable jacket | LSHF (LSOH) |
| Material - Plug housing interface 1 | PC (polycarbonate) |
| Material - Plug housing interface 2 | PC (polycarbonate) |
| Material - Contact interface 1 | CuSn (tin bronze) |
| Material - Contact interface 2 | CuSn (tin bronze) |
| Material - Contact finish interface 1 | Au (gold) |
| Material - Contact finish interface 2 | Au (gold) |

Technical Data

Materials and material properties

| | |
|---|-------------------|
| Material - Contact carriers interface 1 | Plastics |
| Material - Contact carriers interface 2 | Plastics |
| Material - Shield interface 1 | CuSn (tin bronze) |
| Material - Shield interface 2 | CuSn (tin bronze) |
| Material - Shield finish interface 1 | Sn (tin) |
| Material - Shield finish interface 2 | Sn (tin) |
| Halogen free | yes |

Environmental conditions

| | |
|-------------------------------|-------------|
| Temperature (min. - max.) | |
| Temperature - Storage °C | -20 - 60 °C |
| Temperature - Storage °F | -4 - 140 °F |
| Temperature - Operating °C | -20 - 60 °C |
| Temperature - Operating °F | -4 - 140 °F |
| Temperature - Installation °C | 0 - 50 °C |
| Temperature - Installation °F | 32 - 122 °F |

Certifications

GHMT Component



GHMT component - Validity period 27.11.2019

Approvals

RoHS compliant

The product meets the following standards

| | |
|---|--|
| Generic cabling systems | |
| General requirements | ISO/IEC 11801 Ed.2.2:2011-06 DIN EN 50173-1:2011-09 TIA/EIA 568-C.2 |
| Connectors for electronic equipment | |
| Free and fixed connectors | IEC 60603-7-51 |
| Information technology equipment - Radio disturbance characteristics | |
| | DIN EN 55022 |



Technical Data

The product meets the following standards

Specification for the testing of balanced and coaxial information technology cabling

| | |
|---|-------------------------------|
| Cords as specified in ISO/IEC 11801 and related standards | IEC 61935-2 Ed. 3.0 (2010-07) |
|---|-------------------------------|

Classifications

| | |
|----------|----------|
| ETIM 5.0 | EC001262 |
| ETIM 6.0 | EC001262 |

Packing details

| | |
|---------------------------------|-----------------------------|
| Type of packaging | 1 pc(s) / plastic bag |
| Packaging unit - Weight (gram) | 410.00 g |
| Packaging unit - Weight (pound) | 0.90 lb |
| Packaging dimension (W x H x D) | 160.00 x 100.00 x 380.00 mm |
| Packaging dimension (W x H x D) | 6.299 x 3.937 x 14.961 in. |



Data sheet
Patch cord Cat.6_A AWG 26 10.0 m white

Page 6/6

P/N
130845A088-E
EAN 4250184133261

2018-25-04

Illustrations

Dimensional drawing

