

Data sheet

E-DAT modul 2 port AP Cat.6_A, pure white

Page 1/7

P/N

1309120002-E

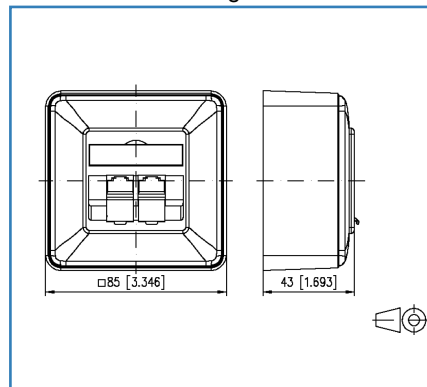
EAN 4250184105640

2018-30-01

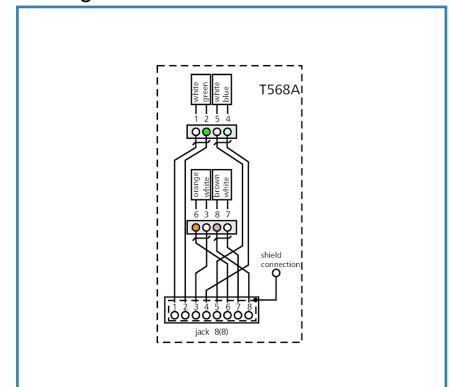
Illustrations



Dimensional drawing



Wiring



See enlarged drawings at the end of document



Product specification

- surface-mounted termination unit with E-DAT modul
- component testing for Cat.6_A to ISO/IEC 11801 Ed.2.2:2011-06, DIN EN 50173-1:2011-09, TIA/EIA-568-C.2 (2009-08) and IEC 60603-7-51 Ed.1 (12/2008), certified to GHMT
- compliance with class E_A to ISO/IEC 11801
- compliance with class E to ISO/IEC 11801 Ed.2.2:2011-06, DIN EN 50173-1:2011-09
- tested: Link up to 500 MHz
- suitable for 10 GBit Ethernet (IEEE 802.3an), Remote Powering (PoE, PoE plus and UPoE) and HDBaseT
- easy to install connection of 2 to 4 pair data lines AWG 26/1 - 22/1 and stranded wires with 7 copper conductors AWG 26/7 - 22/7 to BTR 8-fold insulation displacement connectors (IDC)
- marking of conductor assignment to T568A or T568B
- module plug direction 45° downwards
- strain relief with cable tie at the module
- with label window for enclosed identification labels
- label sheet 209 x 294 mm see accessory
- integrated dust protection covers (also colored)
- pearl white RAL 1013 or pure white RAL 9010 cover parts; structured surface with matt finish
- variants: 1 port, 2 ports, 3 ports
- color variants: pure white and pearl white

Technical Data

General Data

Fields of application	Office
Design	Wall outlet
Mounting style	surface mount
Shielding	shielded
Transmission technology	Copper
Color	pure white
Dimensions	
Dimension (L x W x H)	43.00 x 85.00 x 85.00 mm
Dimension (L x W x H)	1.693 x 3.346 x 3.346 in.
Modularity	yes
Labeling option	label window with identification label
Marking option	by dust protection

Transmission characteristics

Category (ISO)	6 _A
Class (ISO/IEC)	E _A
Category (TIA)	6A
Remote Powering	yes
PoE	IEEE 802.3af
PoE plus	IEEE 802.3at
UPoE	yes
HDBaseT	yes
Transmission rate up to 10 GBit	IEEE 802.3an

Connections/interfaces

Connector technology interface 1	IDC-connection
Connector technology interface 2	RJ45-jack
Number of ports interface 2	2
Number of ports interface 2 equipped	2
Number of positions/contacts interface 1	2 x 8
Number of positions/contacts interface 2	2 x 8P/8C



Technical Data

Connections/interfaces

Termination data, solid wire (min. - max.)

Conductor cross section, solid wire	AWG 26/1 - 22/1
Conductor cross section, solid wire	0.128 - 0.324 mm ²
Conductor diameter, solid wire (bare copper)	0.409 - 0.643 mm
Conductor diameter, solid wire (bare copper)	0.016 - 0.025 in.

Termination data, stranded wire (min. - max.)

Conductor cross section, stranded wire	AWG 26/7 - 22/7
Conductor cross section, stranded wire	0.141 - 0.355 mm ²
Conductor diameter, stranded wire (bare copper)	0.483 - 0.762 mm
Conductor diameter, stranded wire (bare copper)	0.019 - 0.030 in.

Module plug-in direction	45° downwards
--------------------------	---------------

Shield connection	flexible contact spring
-------------------	-------------------------

Electrical characteristics

Current carrying capacity	max. 1 A
Rated voltage	max. 50 V
Contact resistance	max. 20 mOhm
Through resistance	max. 200 mOhm
Insulation resistance	min. 500 MOhm
Dielectric strength conductor-conductor (secondary)	max. 1000 V DC

Mechanical characteristics

Cut-out	Modul
Insertion and withdrawal force	max. 20 N
Position/mounting of latch - standard installation position	top
strain relief	cable tie

Materials and material properties

Material - Housing	Plastics
Material - Surface mount frame	ABS, impact resistant
Material - Cover part(s)	ABS
Material - Supporting frame	GD-Zn (zinc die-cast)
Material - Label window	ABS, transparent
Material - Dust protection	ABS



Technical Data



Materials and material properties

Material - Contact	CuSn (tin bronze)
Material - Contact finish	Ni + Au (nickel-gold)
Material - Shield	GD-Zn (zinc die-cast)
Material - Finish	Ni (nickel)

Environmental conditions

Temperature (min. - max.)	
Temperature - Storage °C	-40 - 70 °C
Temperature - Storage °F	-40 - 158 °F
Temperature - Operating °C	-40 - 70 °C
Temperature - Operating °F	-40 - 158 °F
Electromagnetic measurement	E ₂

Certifications

GHMT Component	
GHMT component - Validity period	27.11.2019
RoHS	compliant
UL listed (file no.)	 DUXR.E178484 US LISTED

The product meets the following standards

Generic cabling systems	
General requirements	ISO/IEC 11801 Ed.2.2:2011-06 DIN EN 50173-1:2011-09
Connectors for electronic equipment	
Free and fixed connectors	DIN EN 60603-7-51:2011-01
Connectors for electronic equipment - Tests and measurements	
Test schedule for connectors	DIN-EN 60512-99-001: 02-2013, Pg. UEL1
Endurance tests	IEC 60512-9-3: 03-2009



Technical Data

Classifications

ETIM 5.0	EC001264
ETIM 6.0	EC001264

Packing details

Type of packaging	10 pc(s) / box
Packaging unit - Weight (gram)	1783.00 g
Packaging unit - Weight (pound)	3.93 lb
Packaging dimension (W x H x D)	340.00 x 266.00 x 126.00 mm
Packaging dimension (W x H x D)	13.386 x 10.472 x 4.961 in.



Data sheet

E-DAT modul 2 port AP Cat.6A, pure white

Page 6/7

P/N

1309120002-E

EAN 4250184105640

2018-30-01

Accessories

P/N	Designation
899650-01	Label sheet for wall outlets
820394-0105-I	Dust protection covers for wall outlets yellow
820394-0106-I	Dust protection covers for wall outlets blue
820394-0107-I	Dust protection covers for wall outlets green
820394-0108-I	Dust protection covers for wall outlets red



P | Cabling

Data sheet E-DAT modul 2 port AP Cat.6A, pure white

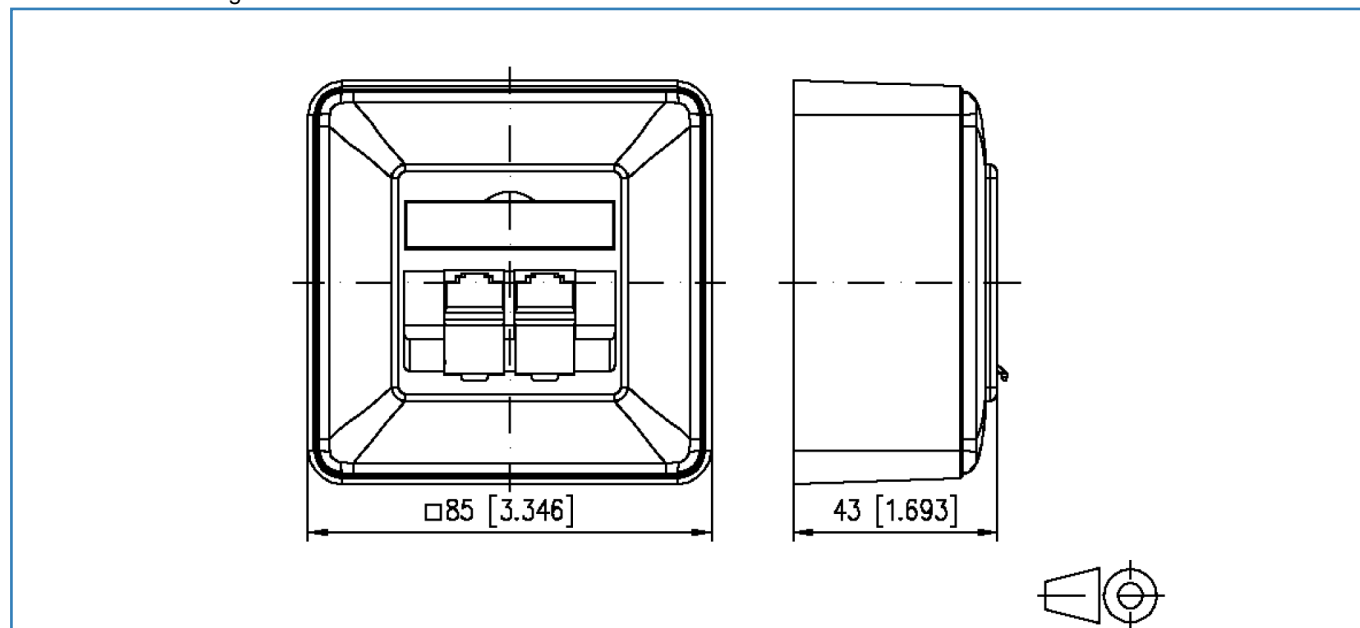
Page 7/7

P/N
1309120002-E
EAN 4250184105640

2018-30-01

Illustrations

Dimensional drawing



Wiring

