

Data sheet

E-DAT Industry IP67 V6 EbM with mounting kit

Page 1/4

P/N

1309413203-E

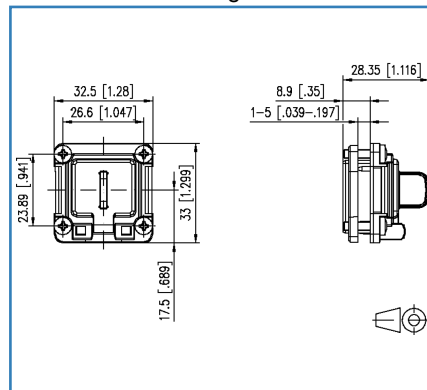
EAN 4250184106555

2017-30-06

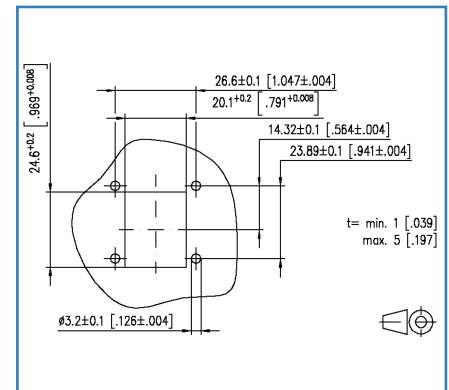
Illustrations



Dimensional drawing



Cut-out



See enlarged drawings at the end of document



Product specification

- for mounting individual modules in Modul design
- IP67 plug face pursuant to IEC 61076-3-106 (Variant 6)
- connection of RJ45 plugs available on the market (no IP protection)
- easy mounting
- versions with and without solid counterplate made of zinc die-cast (also available as accessory)
- color: RAL 7035 (light gray)
- 13094130-E: mounting set consisting of solid counterplate with 4 screws
- not suited to E-DAT industry modules and couplers
- variants: with and without mounting set

Technical Data

General Data

Fields of application	Harsh environment
Design	Flanged housings
Color	light gray
Dimensions	
Dimension (L x W x H)	28.35 x 32.50 x 33.00 mm
Dimension (L x W x H)	1.116 x 1.28 x 1.299 in.
Labeling option	on housing

Connections/interfaces

Number of ports interface 2	1
Number of ports interface 2 equipped	0
Protective housing interface 1	V6
Protective housing interface 2	V6
Module plug-in direction	straight

Mechanical characteristics

Cut-out	Modul
---------	-------

Materials and material properties

Material - Protective housing	PA UL94 V0
Material - Protective housing seal	HNBR (hydrogenated acrylonitrile butadiene rubber)
Material - Profile seal	NBR (nitrile butadiene rubber)
Material - Protective housing screw(s)	stainless steel
Material - Protective cap	PA UL94 V0
Material - Mounting frame	GD-Zn (zinc die-cast)

Environmental conditions


Temperature (min. - max.)	
Temperature - Storage °C	-40 - 70 °C
Temperature - Storage °F	-40 - 158 °F
Temperature - Operating °C	-40 - 70 °C
Temperature - Operating °F	-40 - 158 °F
Particulate ingress	IP6X
Liquid ingress/immersion	IPX7

Technical Data

Environmental conditions

Rapid change of temperature	-40°C / -40°F - +70°C / 158°F / 25 cycles t=30 min
Damp heat	+25°C / +77°F / +65°C / +149°F / 93% RH // -10°C / -14°F 21 cycles

Approvals

RoHS	compliant
UL listed (file no.)	 DUXR.E178484

The product meets the following standards

Expansion of Communication Circuit Accessories (DUXR) Category	UL 1863
Degrees of Protection Provided by Enclosures	IEC 60529
Connectors for electronic equipment	
Rectangular connectors	DIN EN 61076-3-106

Classifications

ETIM 5.0	EC002597
ETIM 6.0	EC002597

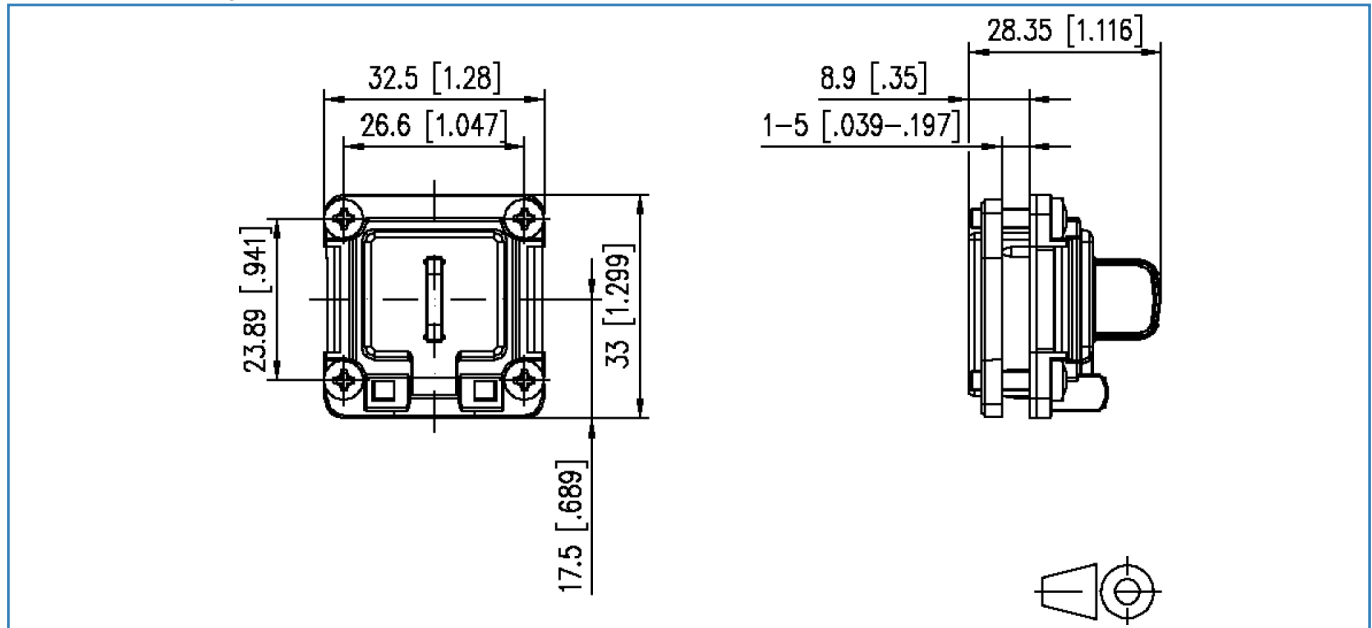
Packing details

Type of packaging	10 pc(s) / box
Packaging unit - Weight (gram)	310.00 g
Packaging unit - Weight (pound)	0.68 lb
Packaging dimension (W x H x D)	247.00 x 161.00 x 58.00 mm
Packaging dimension (W x H x D)	9.724 x 6.339 x 2.283 in.

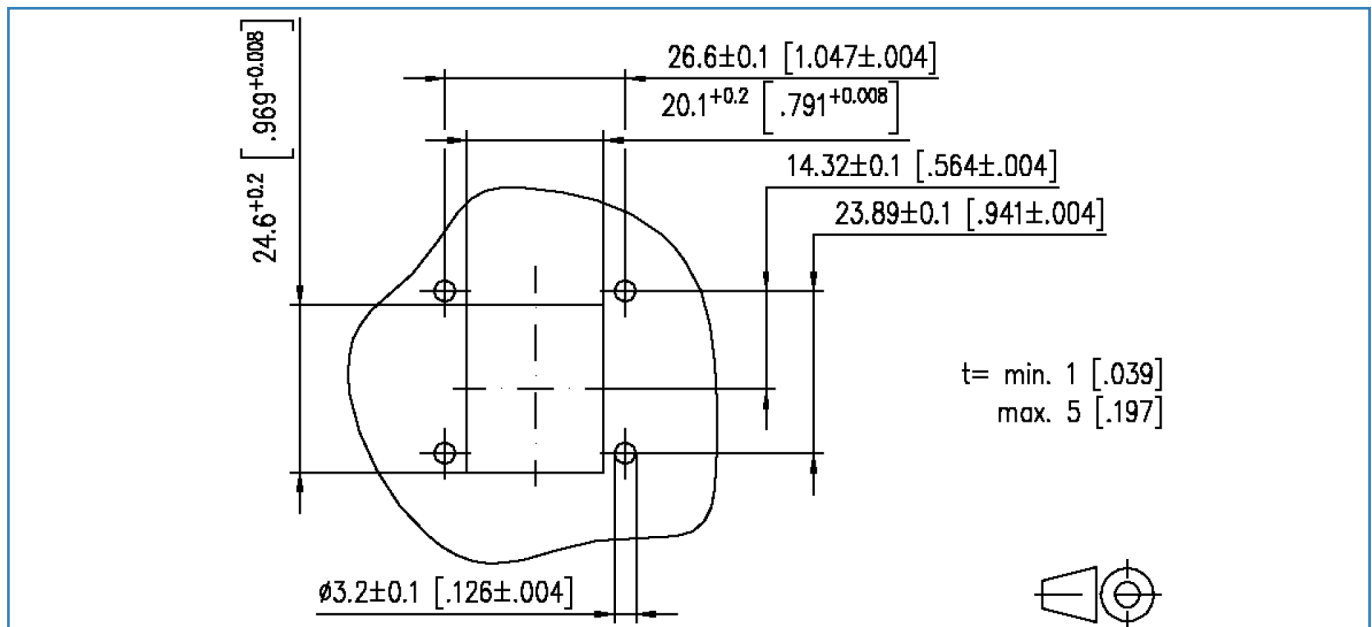


Illustrations

Dimensional drawing



Cut-out



© 2017 METZ CONNECT - Technische Änderungen vorbehalten! Subject to modifications! Sous réserve de modifications techniques!

