

Data sheet

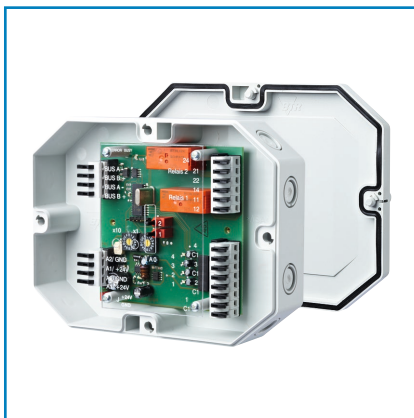
BMT-DIO4/2-IP

Part number
1108831326IP

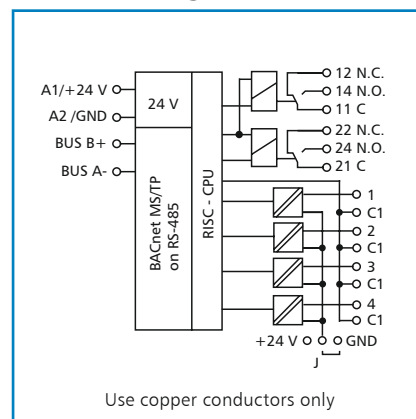
BACnet module with digital inputs and outputs

2016-11-11

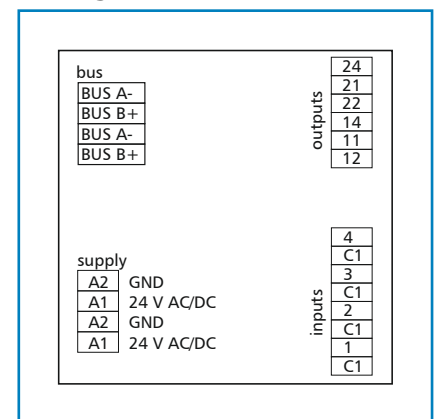
Illustrations



Principle diagram



Wiring



Product description

The BACnet MS/TP module in IP65 housing with 4 digital inputs and 2 relay outputs with manual control was developed for decentralized switching tasks.

It is suitable for accommodating, for example, light switches and window contacts in a room, switching two light strips or controlling louvers. It can also be used to control 2 motorized fire dampers.

With strong inductive loads, we recommend protecting the relay contacts additionally with an RC element.

The inputs can be used as contact or voltage inputs. The inputs and outputs can be switched and scanned by means of standard objects via a BACnet client. The module address and the bitrate are set by means of two address switches.

Data sheet
BMT-DIO4/2-IP
BACnet module with digital inputs and outputs

Page 2/4
Part number
1108831326IP
 2016-11-11

Technical data

BACnet interface

Protocol	BACnet MS/TP
Address range	00 to F9
Transmission rate	9600 to 115200 Bit/s, factory setting 9600 Bit/s
Cabling	RS485 two wire bus with potential equalization in bus or line topology terminate with 120 Ohm

Supply

Operating voltage	24 V AC/DC ± 10 % (SELV)
Current consumption	200 mA (AC) / 75 mA (DC)
Relative duty cycle	100 %

Inputs

Digital inputs	4
Voltage input	30 V DC
High signal recognition	>7 V AC/DC

Outputs

Digital outputs	2
Output contact	2 changeover contacts
Switching voltage max.	250 V AC
Continuous current	10 A per relay (80 A for 20 ms)

General informations

Rated insulation voltage	230/400 V AC	
Overvoltage category	III	II
Pollution degree	2	2
Rated surge voltage	4 kV	2.5 kV
Type of insulation	basic insulation	reinforced insulation

Housing

Dimensions WxHxD	6.299 x 1.602 x 4.724 in. (160 x 40.7 x 120 mm)
Weight	350 g
Mounting position	any
Mounting	directly on a flat surface 8 knock-out openings for M12 and M16 cable glands
Material	
Housing	ASA + polycarbonate
Terminal blocks	polyamide 6.6 V0
Cover	polycarbonate
Type of protection (IEC 60529)	
Housing	IP65

Data sheet
BMT-DIO4/2-IP
BACnet module with digital inputs and outputs

Page 3/4
Part number
1108831326IP
 2016-11-11

Technical data

Terminal blocks	
Supply and bus	
Terminal block	4-pole
Solid wire	max. AWG 16 (1.5 mm ²)
Stranded wire	max. AWG 18 (1.0 mm ²)
Wire diameter	0.3 mm to max. 1.4 mm
Module connection, digital inputs and outputs	
Solid wire	max. AWG 16 (1.5 mm ²)
Stranded wire	max. AWG 18 (1.0 mm ²)
Wire diameter	0.3 mm to max. 1.4 mm
Protective circuitry	Polarity reversal protection of operating voltage Polarity reversal protection of supply and bus
Temperature range	
Operation	23 °F to 131 °F (-5 °C to +55 °C)
Storage	-4 °F to +158 °F (-20 °C to +70 °C)
Display	
Operating and bus activity	green LED
Error indication	red LED
Status of the inputs and outputs	yellow LEDs
Additional documents	
Software description, mounting note, certificates	All additional documents are available for download at www.metz-connect.com



Data sheet
BMT-DIO4/2-IP
 BACnet module with digital inputs and outputs

Page 4/4
 Part number
1108831326IP
 2016-11-11

Dimensional drawing

