

Data sheet

Page 1/4

LF-DO4

Part number
1108521321

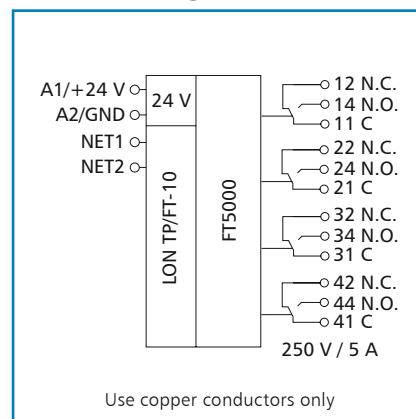
LON module with digital outputs

2016-07-18

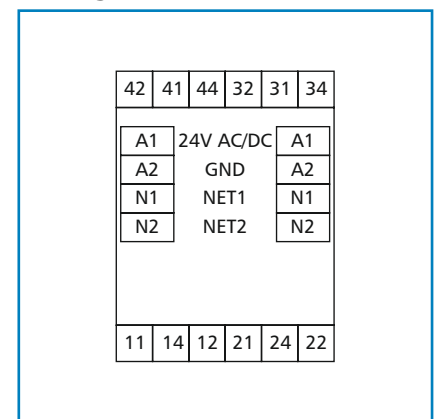
Illustrations



Principle diagram



Wiring



Product description

The LON module with 4 digital outputs was developed for decentralized switching tasks. It is suitable for switching electrical components, such as motors, contactors, lamps, louvers, etc. With strong inductive loads, we recommend protecting the relay contacts additionally with an RC element.

The outputs can be actuated by SNVT network variables. The module has a manual control activated only in configured mode. In addition, an adjustable wipe function is integrated. Suitable for decentralized mounting on DIN TH35 rail according to IEC 60715 in electrical distribution cabinets.

Data sheet

LF-DO4

LON module with digital outputs

Technical data

Approvals

C-UL Certification	Open Energy Management Equipment 34TZ
--------------------	---------------------------------------

LON interface

Transceiver	TP/FT-10 free topology
Neuron	FT5000
Data format	Standard network variables (SNVT)
Transmission rate	78 kBit/s
Max. length	
Line topology	2700 m / 64 nodes
Free topology	500 m / 64 nodes
Cabling	Twisted Pair

Supply

Operating voltage range	20 to 28 V AC/DC (SELV)
Current consumption	205 mA (AC) / 67 mA (DC)
Relative duty cycle	100 %
Recovery time	550 ms

Outputs

Digital outputs	4
Output contact	4x changeover contact
Switching voltage max.	250 V AC
Continuous current max.	5 A
Total current over all contacts	max. 12 A
Contact fuse	5 A
Mechanical endurance	1.5 x 10 ⁷ switching cycles
Electrical endurance	1.5 x 10 ⁵ switching cycles
Permissible switching frequency	6 per minute at nominal current

General informations

Rated insulation voltage	230/400 V AC	
Overvoltage category	III	II
Pollution degree	2	2
Rated surge voltage	4 kV	2.5 kV
Type of insulation	basic insulation	reinforced insulation

Data sheet

LF-DO4

LON module with digital outputs

Technical data

Housing	
Dimensions WxHxD Depth including switches	1.378 x 2.728 x 2.362 in. (35 x 69.3 x 60 mm) 2.717 in. (69 mm)
Weight	104 g
Mounting position	any
Mounting	on TH35 rail per IEC 60715
Side-by-side mounting	Without space The maximum quantity of LON modules connected side-by-side is limited to 15 or to a maximum power consumption of 2 Amps (AC or DC) per connection to the power supply. For any similar block of additional modules a separate connection to the power supply is necessary.
Material Housing Terminal blocks Cover plate	polyamide 6.6 V0 polyamide 6.6 V0 polycarbonate
Type of protection (IEC 60529) Housing Terminal blocks	IP40 IP20
Terminal blocks	
Supply and bus Terminal block Solid wire Stranded wire Wire diameter	4-pole max. AWG 16 (1.5 mm ²) max. AWG 18 (1.0 mm ²) 0.3 mm to max. 1.4 mm
Module connection, digital outputs Solid wire Stranded wire Wire diameter	max. AWG 12 (4 mm ²) max. AWG 14 (2.5 mm ²) 0.3 mm to max. 2.7 mm
Protective circuitry	Polarity reversal protection of operating voltage Polarity reversal protection of supply and bus
Temperature range	
Operation	23 °F to 131 °F (-5 °C to +55 °C)
Storage	-4 °F to +158 °F (-20 °C to +70 °C)
Display	
Operation	green LED
Status (Service)	yellow LED
State of outputs	yellow LEDs
Additional documents	
Software description, mounting note, certificates	All additional documents are available for download at www.metz-connect.com



Data sheet

LF-DO4

LON module with digital outputs

Page 4/4

Part number

1108521321

2016-07-18

Dimensional drawing

