

Data sheet

MR-TO4

Modbus module with digital triac outputs

Part number

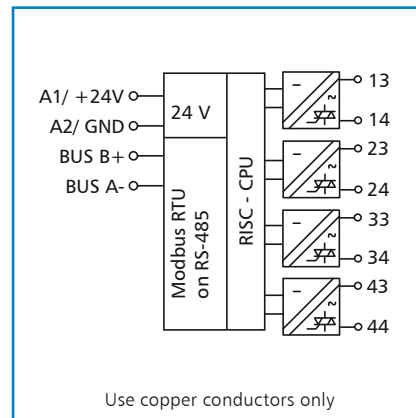
11083013

2016-11-22

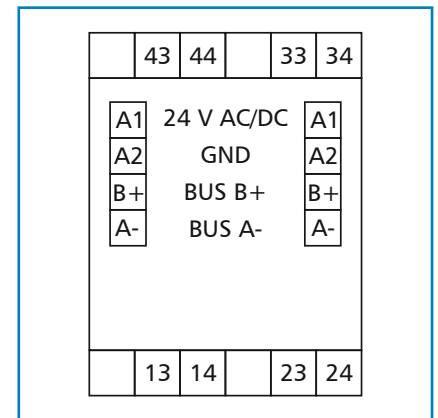
Illustrations



Principle diagram



Wiring



Product description

The Modbus module with 4 digital triac outputs was developed for decentralized switching tasks. It is suitable for switching electrical components, such as relays, contactors, VAC valves, etc.

The outputs can be switched by means of standard registers via a Modbus master. In addition, the outputs can be overridden manually by means of switches on the device.

Module address, bit rate and parity are set by means of two address switches on the front or by software.

Suitable for decentralized mounting on DIN TH35 rail according to IEC 60715 in electrical distribution cabinets.

Data sheet

MR-TO4

Modbus module with digital triac outputs

Technical data

Approvals

C-UL Certification	Open Energy Management Equipment 34TZ
--------------------	---------------------------------------

Modbus interface

Protocol	Modbus RTU
Address range	00 to 99
Transmission rate	1200 to 115200 bit/s, factory setting 19200 bit/s Even
Cabling	RS485 two wire bus with potential equalization in bus or line topology terminate with 120 Ohm

Supply

Operating voltage range	24 V AC/DC ± 10 % (SELV)
Current consumption	200 mA (AC) / 70 mA (DC)
Relative duty cycle	100 %

Outputs

Digital outputs	4x triac
Switching voltage	20 V AC to 250 V AC
Continuous current	0.5 A per triac

Housing

Dimensions WxHxD	1.378 x 2.728 x 2.362 in. (35 x 69.3 x 60 mm)
Depth including switches	2.717 in. (69 mm)
Weight	95 g
Mounting position	any
Mounting	on TH35 rail per IEC 60715
Side-by-side mounting	Without space The maximum quantity of Modbus modules connected side-by-side is limited to 15 or to a maximum power consumption of 2 Amps (AC or DC) per connection to the power supply. For any similar block of additional modules a separate connection to the power supply is necessary

Material

Housing	polyamide 6.6 V0
Terminal blocks	polyamide 6.6 V0
Cover plate	polycarbonate

Type of protection (IEC 60529)

Housing	IP40
Terminal blocks	IP20

Data sheet

MR-TO4

Modbus module with digital triac outputs

Technical data

Terminal Blocks

Supply and bus	
Terminal block	4-pole
Solid wire	max. AWG 16 (1.5 mm ²)
Stranded wire	max. AWG 18 (1.0 mm ²)
Wire diameter	0.3 mm to max. 1.4 mm
Module connection, digital outputs	
Solid wire	max. AWG 12 (4 mm ²)
Stranded wire	max. AWG 14 (2.5 mm ²)
Wire diameter	0.3 mm to max. 2.7 mm
Protective circuitry	Polarity reversal protection of operating voltage Polarity reversal protection of supply and bus

Temperature range

Operation	23 °F to 131 °F (-5 °C to +55 °C)
Storage	-4 °F to +158 °F (-20 °C to +70 °C)

Display

Operating and bus activity	green LED
Error indication	red LED
Status of the outputs	yellow LEDs

Additional documents

Software description, mounting note, certificates	All additional documents are available for download at www.metz-connect.com
---------------------------------------------------	-----------------------------------------------------------------------------------------------------------------------

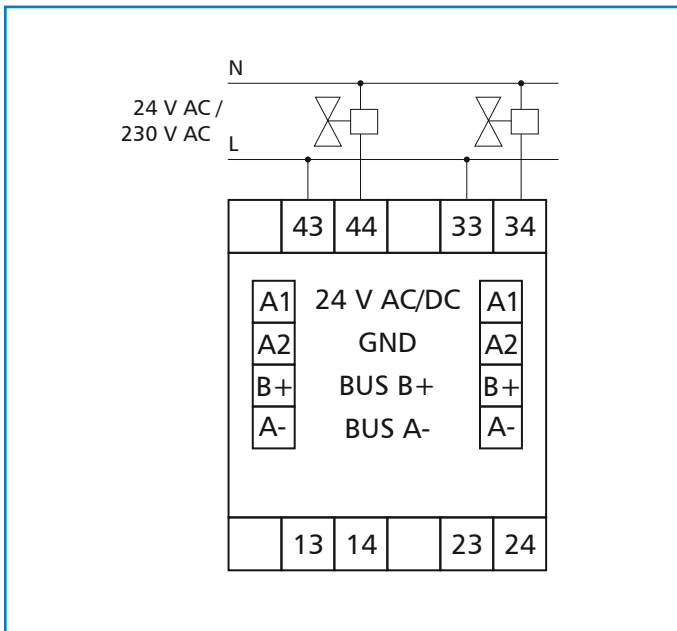


Data sheet

MR-TO4

Modbus module with digital triac outputs

Connection example



Dimensional drawing

